

1

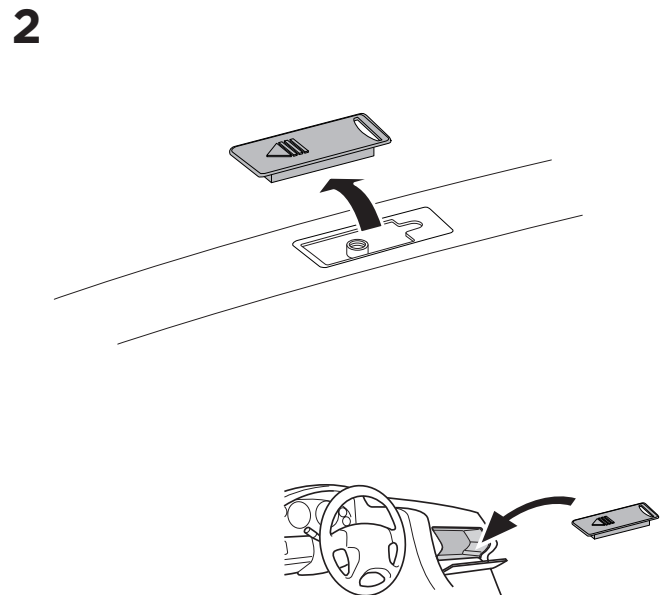
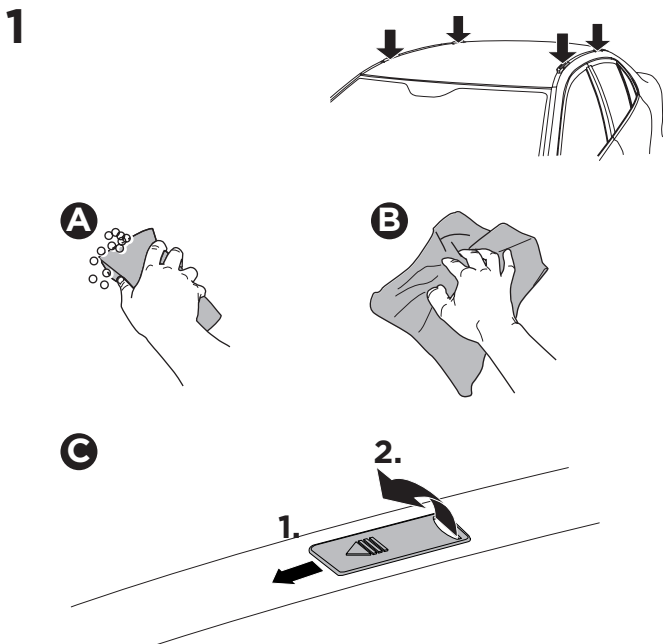
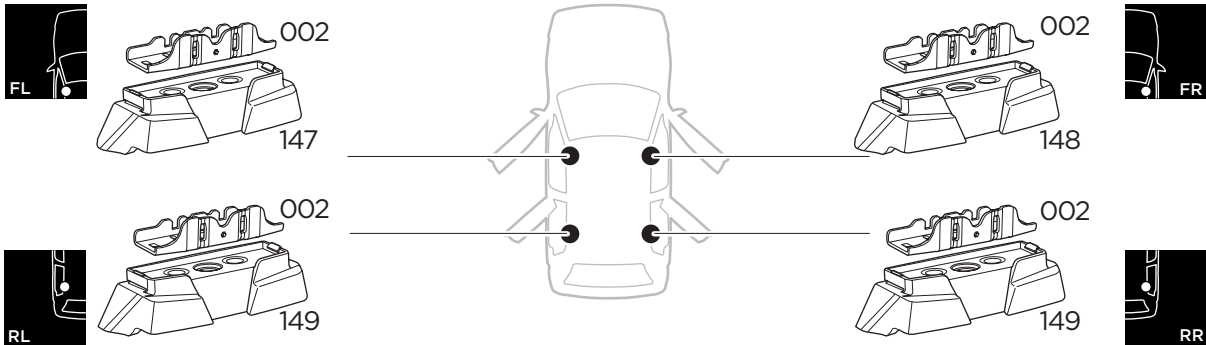
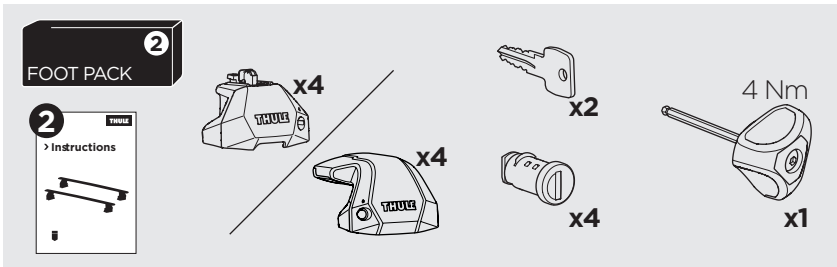
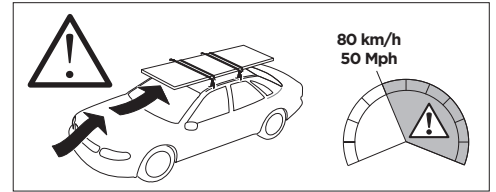
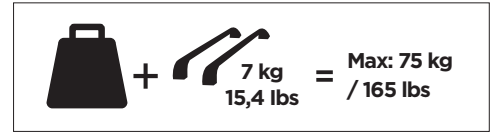
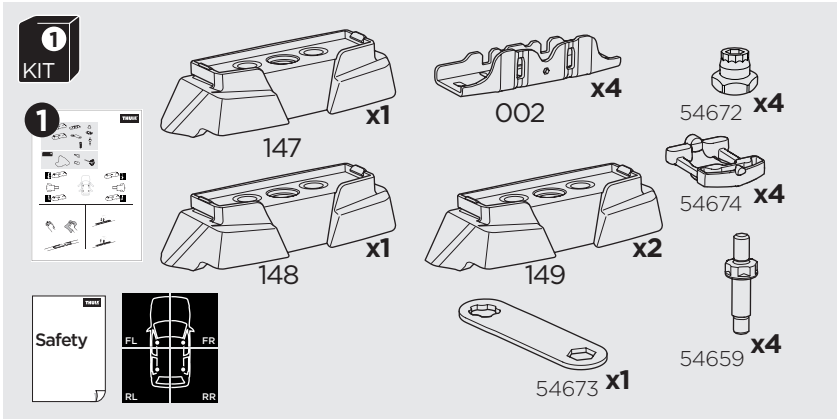
Kit 187016

HYUNDAI i20 (Mk.II.), 5-dr Hatchback, 15-20

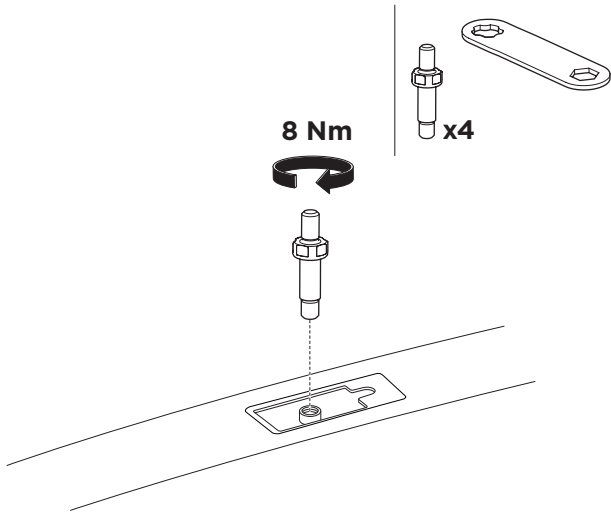


ISO 11154-E

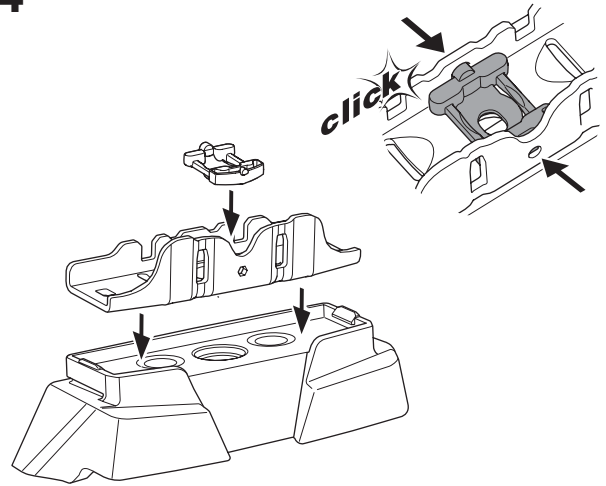
This kit is only for vehicles with fixpoint mounting.



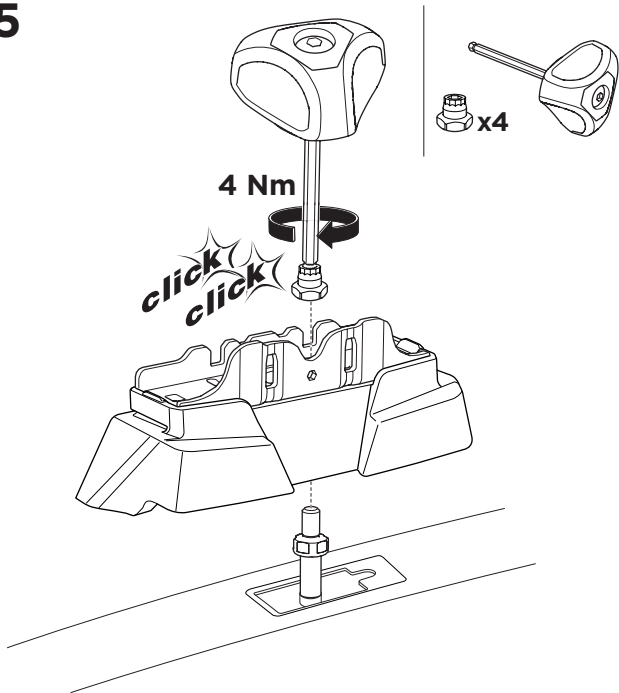
3



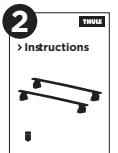
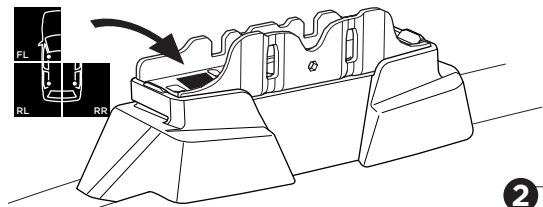
4



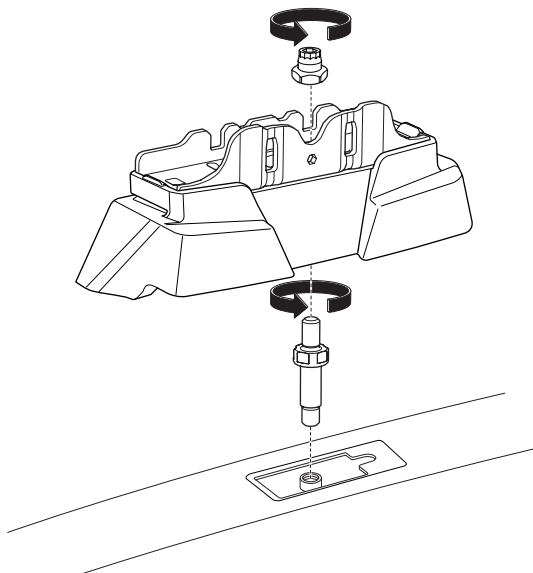
5



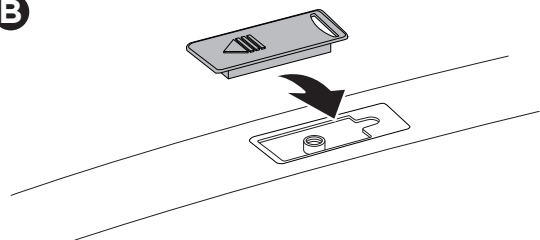
6



A



B



C

